

FILLING MACHINE

ECONOLINE

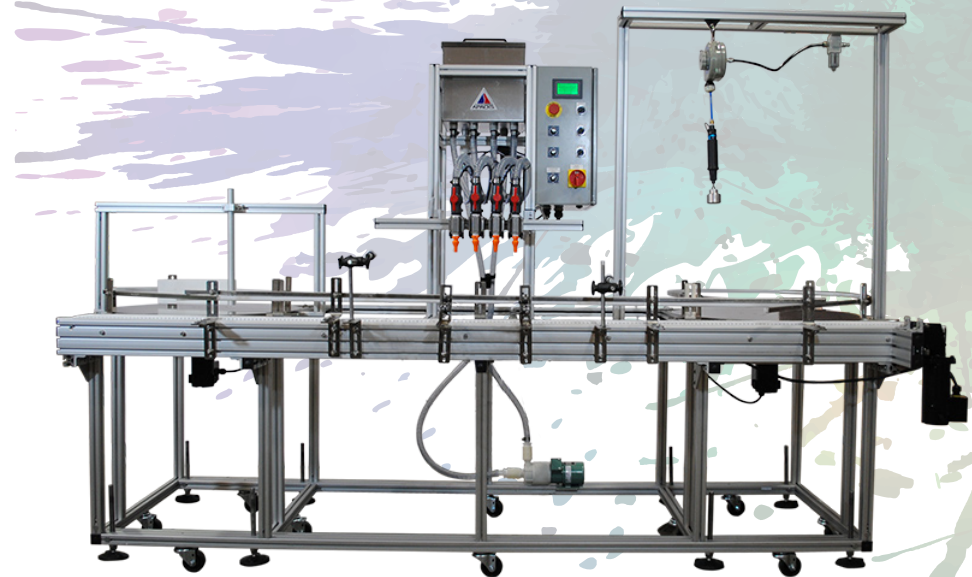


APACKS is proud to introduce our Econoline Systems. They are the perfect addition to any packaging line interested in increasing accuracy and production rates. One budget-minded, compact System to get your packaging process moving!

Offering an all-inclusive, userfriendly production line, Econoline Systems include a 28 inch Rotary Loading Turntable, 10 foot Conveyor, your choice of four Automatic Fillers, Handheld Chuck Capper, plus one Chuck and Insert, and a 28 inch Rotary Accumulating Turntable.

These systems are built with anodized aluminum construction and mounted on casters with leveling legs requiring only minimal assembly. PLC touch screen controls and DC gear motors on the Turntables and Conveyor come standard.

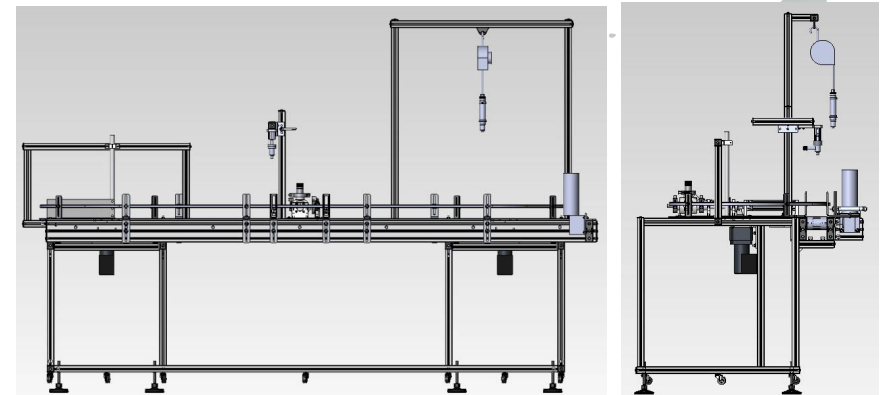
Available in four different types of filling methods: The volumetric Single Head Piston Filler comes in a variety of piston sizes for either thin or thick products while the Single Head Positive Displacement Pump Filler can fill a wide range of product viscosities from 1oz to 1gal. The Gravity Filler, filling thin liquids volumetrically-by-time, can be configured for Two or Four Heads and the 2 Head Overflow Filler provides exceptional cosmetic fills for thin products.



SPECIFICATION

Standard Features Include:

- (1) Filling System
see Options for available filling types
- (1) Handheld Chuck Capper, Overhead Balancer and Trolley
- (1) Chuck and (1) Insert for one size cap
- (2) 28" Rotary Turntables
(1) Loading Turntable, (1) Accumulating Turntable
- (1) 10' x 4" Conveyor
- Anodized aluminum construction
- PLC touch screen controls
- Unit is mounted on casters with leveling legs
- Minimal assembly required
- 110VAC, 15amp plug
- 90VDC gear motors on Turntables and Conveyor
- Dimensions - 10' L x 4.6' W x 8' H



FILLING MACHINE

ECONOLINE



FILLING METHODS

PISTON

- Volumetric fill method
- Thin or thick liquid single head Filler
- Ball or Check Valves
- 60ml, 125ml, 250ml, 500ml or 1000ml Pistons
- Direct Draw for Thin Liquid
- Direct Draw or Hopper for Thick Liquid

PUMP

- Positive displacement fill method
- Single Head
- Fills a variety of products ranging in viscosity from thin to thick

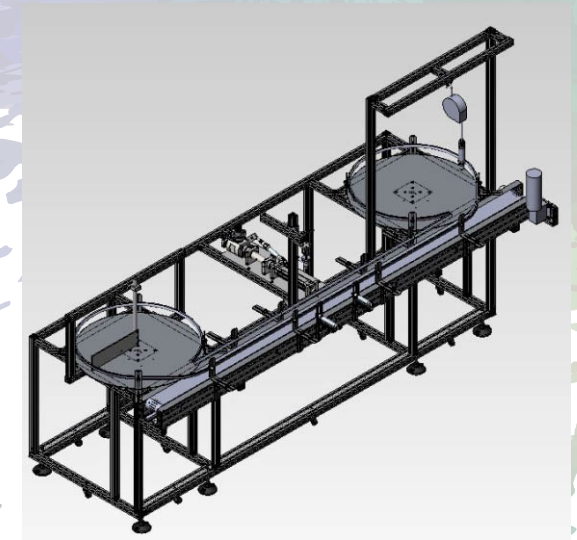
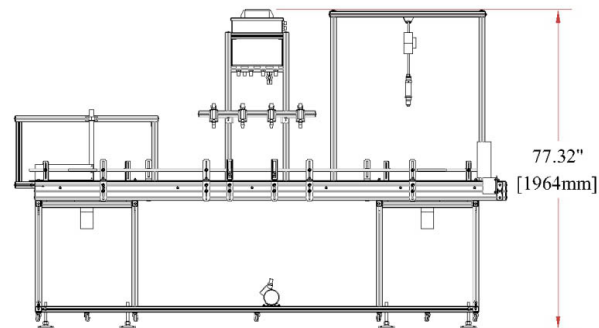
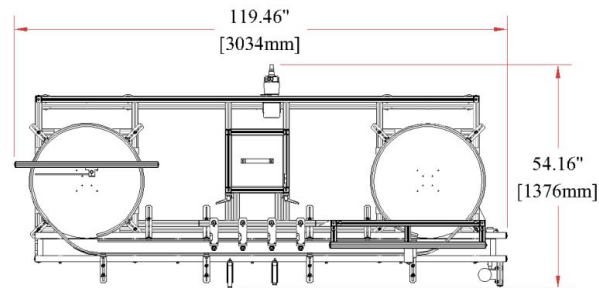
- Fills 1oz to 1gal
- Washdown motor

GRAVITY

- Volumetric-by-time fill method
- 2 or 4 Heads
- Fills thin liquids
- .5oz to 1gal

OVERFLOW

- Cosmetic fill method
- 2 Heads
- Fills thin liquids
- 1oz to 1gal



APPLICATIONS

Water
Fruit Juices
Extracts
Liquid Tea
Liquid Coffee
Food Coloring
Vegetable Oil
Milk
Wine
Tomato juice
Some Salad Dressings
Perfumes

Essential Oils
Ink
Thin Liquid Soap
Shampoo's
Light Makeup remover
Motor Oil
Urethane
Silicone
Urine
Alcohol
and many more

- Complete line of filling and packaging solutions
- Standard filling machines in stock and ready to ship
- Economical prices, installation services and excellent customer service

1500 Lake Street, La Porte, Indiana 46350
Local & Outside US: 219-369-4131
Toll Free: 866-369-9030
Fax: 574-975-2711

sales@apacks.com
www.apacks.com